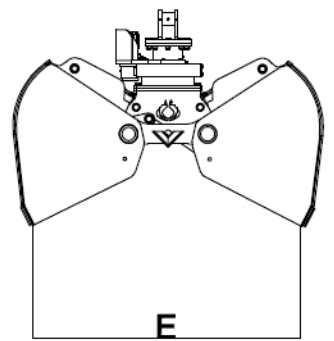
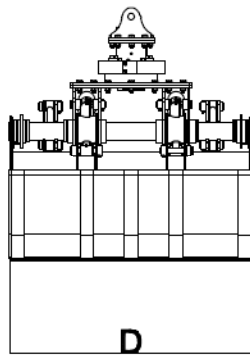
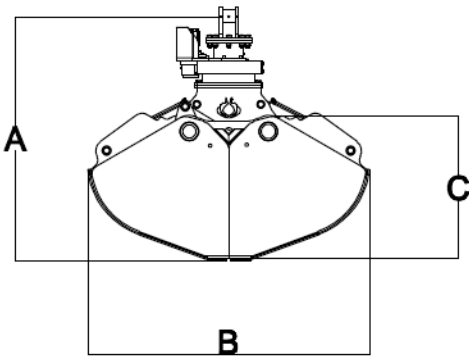
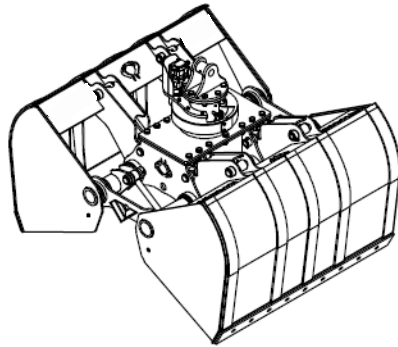
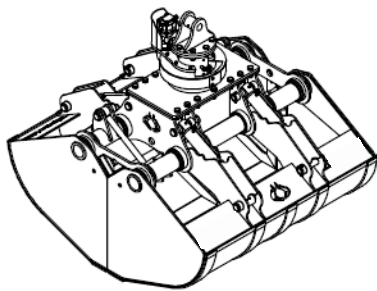




## CLAMSHELL BUCKET FOR BULK HANDLING CSB-2



MODEL MODELL	Weight Gewicht Kg	Capacity Volumen Lt	Working Pressure Arbeitsdruck Max. Bar	A	B	C	D	E
<b>CSB2.0</b>	<b>1740</b>	<b>2000</b>	<b>300</b>	<b>1650</b>	<b>1870</b>	<b>970</b>	<b>1670</b>	<b>1900</b>

### Technical Data

Capacity /Volumen	2000 Lt
Gross Weight /Bruttogewicht	1740 Kg
Working Principle /Arbeitsprinzip	Hydraulic
Working Pressure /Arbeitsdruck	300 Bar
Rotator /Griffdruck	130 Bar
Rotator /Rotator	360°
Cylinder quantity /Zylindermenge	4
Force Per Cylinder /Kraft pro Zylinder	7.5 Tons